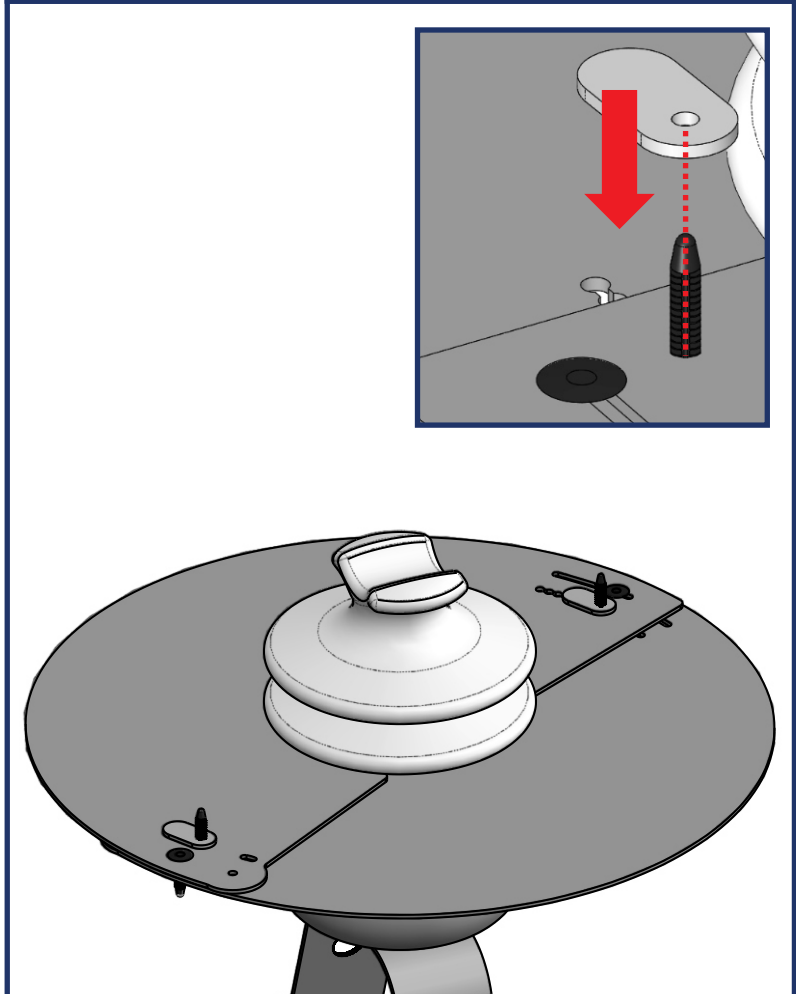
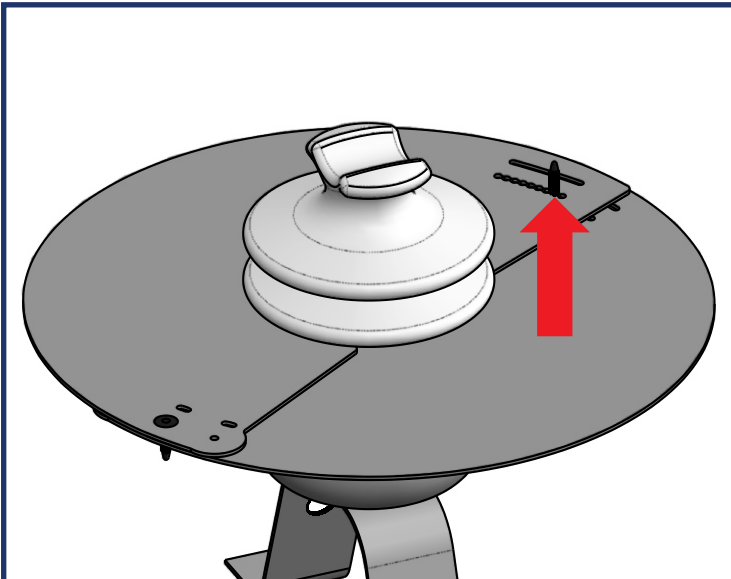
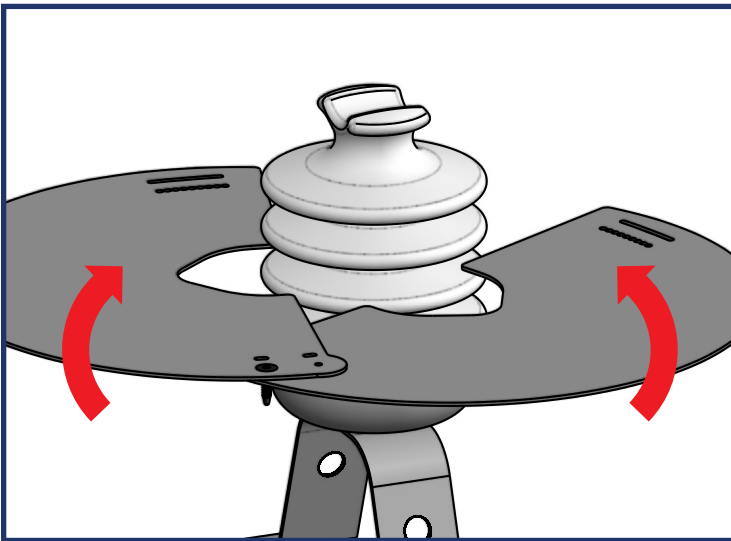
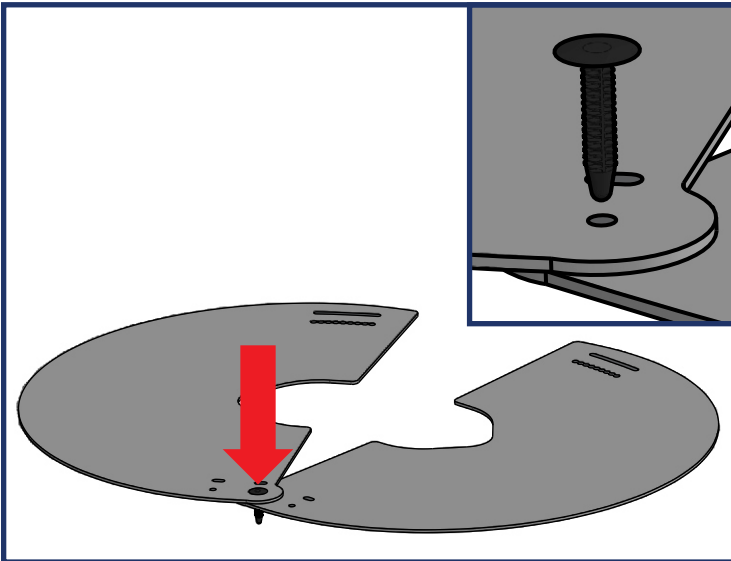


# DE-ENERGIZED INSTALLATION INSTRUCTIONS

## PROTECTION DISC

1. Insert push fastener through the corresponding holes of both disc sections. See configuration options on back of page for sizing.
2. Position the disc around the insulator at the desired height and secure with a second fastener in the opposite slot.
3. Close the disc snug around the insulator and secure using the additional fasteners provided.
4. Complete the installation by pushing the plastic washers down onto both upward facing fasteners.

Note that push fasteners are one-time-use and must be cut to be removed. Side cutters work best to remove.

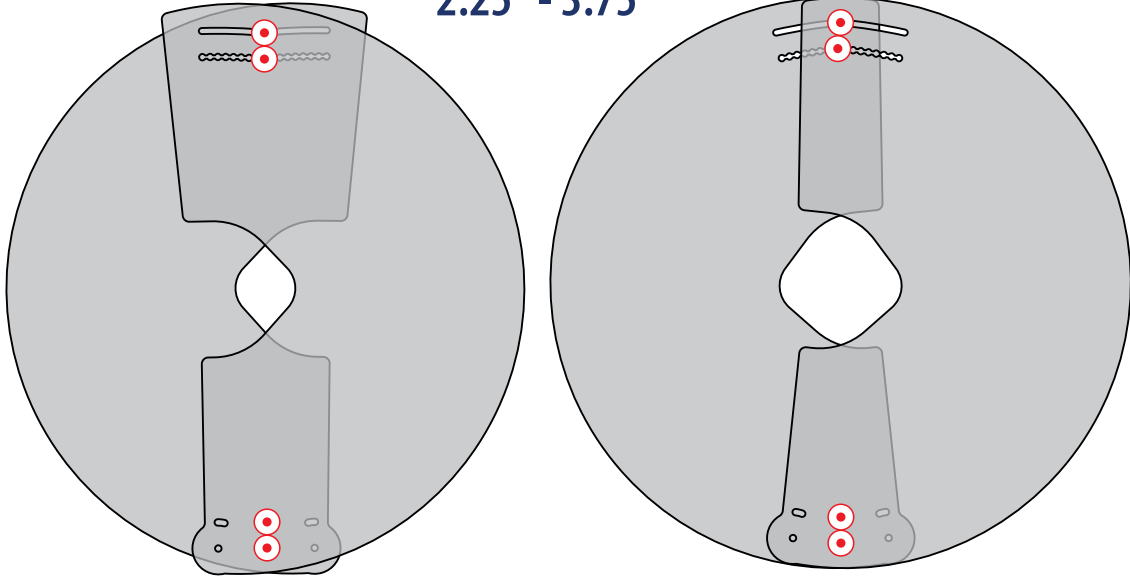


**RELIAGUARD**<sup>®</sup>

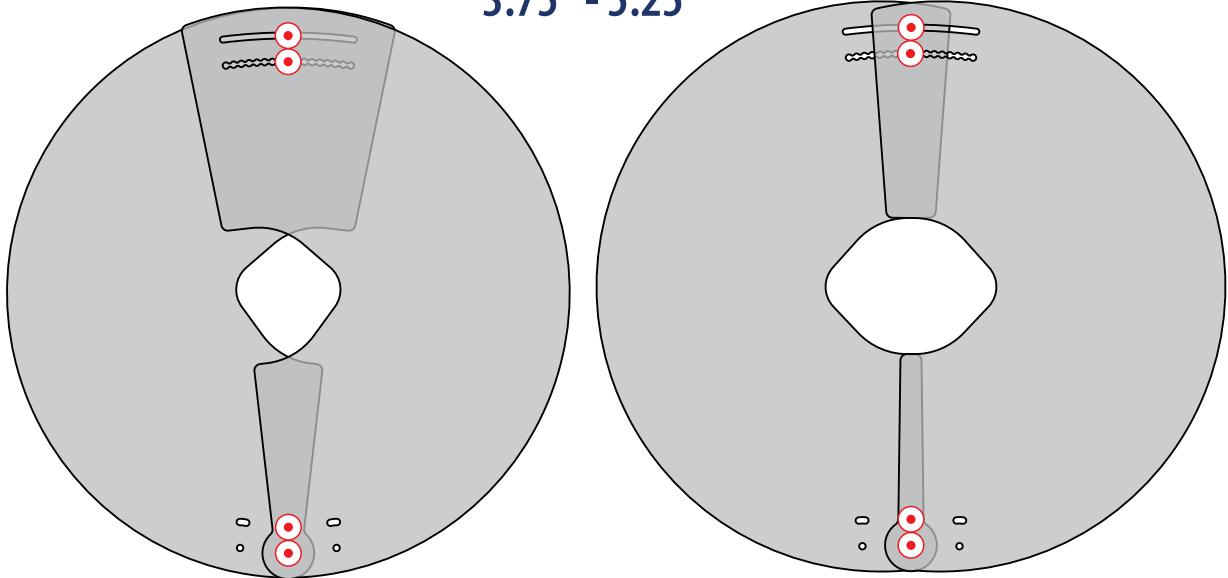
BETTER SOLUTIONS FOR POWER LINE PROTECTION

Phone 949.305.3311  
Email [orders@reliaguard.com](mailto:orders@reliaguard.com)  
Web [www.reliaguard.com](http://www.reliaguard.com)

**CONFIGURATION A**  
**DIAMETER RANGE**  
**2.25" - 3.75"**



**CONFIGURATION B**  
**DIAMETER RANGE**  
**3.75" - 5.25"**



**RELIAGUARD**<sup>®</sup>

BETTER SOLUTIONS FOR POWER LINE PROTECTION

Phone 949.305.3311  
Email [orders@reliaguard.com](mailto:orders@reliaguard.com)  
Web [www.reliaguard.com](http://www.reliaguard.com)