

## VOLTAGE REGULATOR KIT - COOPER (RK-11001K, RK-11002K)

Both three-phase and single-phase regulators have reduced clearances because of their characteristic design and how they are commonly configured. These nominal clearances create a high risk for bird and animal contact. The high cost of replacing a regulator is another reason why it is crucial to protect such an important system asset.

### Better by Design

- Based on the 100 years of collective knowledge of the Reliaguard linemen who specialize in wildlife mitigation, designs consider all risk points. A team of CAD designers support linemen to incorporate features unique to Reliaguard Regulator Guards.
- Reliaguard Regulator Guards have an overlapping design to ensure there are no gaps in coverage.
- Reliaguard<sup>®</sup> Regulator Guards offer complete coverage of energized components including series arresters and brackets, bushing terminals, and wire connectors.

### Superior Material

- All Reliaguard products are made from Reliatanium, a proprietary material designed by Reliaguard's chemical engineering founders.
- Reliatanium achieves a V-0 flammability classification, the highest rating for the UL 94 test standard and has a 15+ year lifespan.
- Material properties for UV stability and flame retardancy
- Rigid and robust material in properties and design
- Tested to meet specific guidelines of IEEE 1656-2010

### Ease of Installation

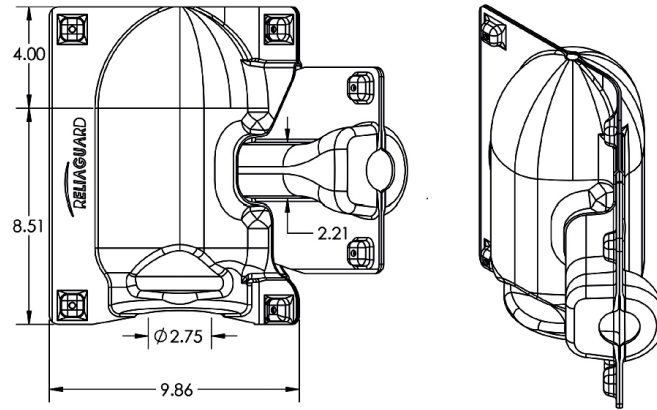
Power linemen like our products because:

- Reliaguard<sup>®</sup> Regulator Guards are designed to stay in place. Retention of the cover once applied is a critical design feature to be considered
- Guards can accommodate various conductor diameters
- Best results are achieved when installed with GreyEEL Conductor Cover



## Technical Features

Designed to prevent wildlife caused outages, these guards are tested for application on equipment up to 38kV.



Product Name	Part Number	Height Dimension *	Diameter Dimension *	Additional Dimension*	Min Order Quantity
Voltage Regulator Kit – C400 <sup>1</sup>	RK-11001K	12 (304.8)	6.3 (160)	2.75 (69.9) base port	1
Voltage Regulator Kit – C500 <sup>2</sup>	RK-11002K	14.5 (368.3)	9.25 (247.7)	3.50 (88.9) base port	1

\*Dimensions in inches (millimeters)

<sup>1</sup>Regulator Kit includes 2 bushing guards and 2 arrester bracket guards; fits Cooper Regulators - 50 amp to 400 amp

<sup>2</sup>Regulator kit includes 2 bushing guards and 2 arrester bracket guards; fits Cooper Regulator - 500 amp

## Species at Risk:

Listed below are those specific animals that have been identified by the IEEE survey as known or potential sources of animal-related outages. (Source: IEEE 1264™-2015)

Animals	% Utilities Responding to IEEE Survey
Squirrels	90%
Birds	86%
Raccoons	57%
Snakes	46%
Cats	43%
Mice	30%
Rats	19%
Opossums	13%

Several other animals were identified by utilities as problematic. These animals are not major contributors, as none were reported by more than 5% of the utilities:

**Bats, deer, dogs, foxes, frogs, gophers, ground hogs, insects, lizards, moles, monkeys, pikas, rabbits, ring-tailed cats, skunks, weasels**

## Fits the following equipment manufacturers' products:

- Cooper 50-400Amp

Guards for additional equipment types required for volume orders will be designed by Reliaguard as requested by customers.

