

RECLOSER KIT V-ST (RCK-12001K)

Bird and animal contact risk points on reclosers commonly exist between energized bushings of adjacent phases and when reclosers are configured in close proximity to support structures. By fully protecting the energized connections of recloser bushings, which includes covering bare conductors, contact risks can be eliminated.

Better by Design

- Based on the 100 years of collective knowledge of the Reliaguard linemen who specialize in wildlife mitigation, designs consider all risk points. A team of CAD designers support linemen in incorporating features unique to only Reliaguard Switch Guards.
- Recloser Kit V-ST Guards effectively enclose bushing connections and are designed to ensure long-term retention.
- The push fastener included with each guard provides a reliable method of protecting guards from being inadvertently opened and dislodged.

Superior Material

- All Reliaguard products are made from Reliatanium, a proprietary material designed by Reliaguard's chemical engineering founders.
- Reliatanium achieves a V-0 flammability classification, the highest rating for the UL 94 test standard and has a 15+ year lifespan.
- Material properties for UV stability and flame retardancy
- Rigid and robust material in properties and design
- Tested to meet specific guidelines of IEEE 1656-2010

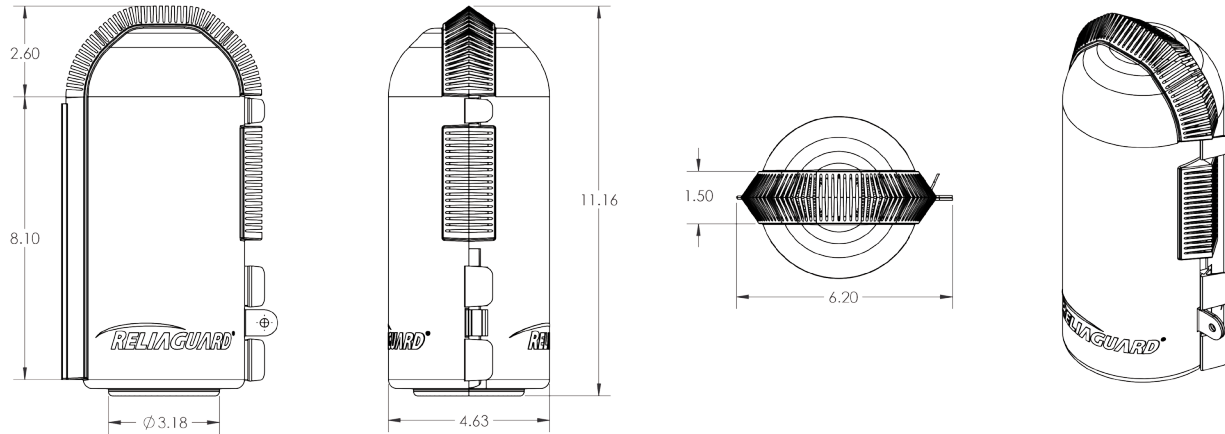
Ease of Installation

Power linemen like our products because:

- Reliaguard[®] Recloser Kit Guards are designed to stay in place. Retention of the guard once applied is a critical design feature to be considered
- Manufactured with a superior closure design to ensure the guards stay where they are installed
- Guards can accommodate conductor exiting at various angles
- Best results are achieved when installed with GreyEEL Conductor Cover

Technical Features

Designed to prevent wildlife caused outages, these guards are tested for application on equipment up to 38kV.



Product Name	Part Number	Height Dimension *	Diameter Dimension *	Additional Dimension*	Min Order Quantity
Recloser Kit V-ST ¹	RCK-12001K	10.4 (264.2)	4.4 (111.8)	1.26 (32) base port	1

* Dimensions in inches (millimeters)

¹ (Recloser kit includes 6 bushing covers, 6 conductor covers (4' length), and 1 EEL Slider tool; fits G&W Viper ST)

Species at Risk:

Listed below are those specific animals that have been identified by the IEEE survey as known or potential sources of animal-related outages. (Source: IEEE 1264™-2015)

Animals	% Utilities Responding to IEEE Survey
Squirrels	90%
Birds	86%
Raccoons	57%
Snakes	46%
Cats	43%
Mice	30%
Rats	19%
Opossums	13%

Several other animals were identified by utilities as problematic. These animals are not major contributors, as none were reported by more than 5% of the utilities:

Bats, deer, dogs, foxes, frogs, gophers, ground hogs, insects, lizards, moles, monkeys, pikas, rabbits, ring-tailed cats, skunks, weasels

Fits the following equipment manufacturers' products:

- GW – Viper Recloser

Covers for additional equipment types required for volume orders will be designed by ReliGuard as requested by customers.

