

REGULATOR KIT S400 RETRO (RK-11022K)

Both three-phase and single-phase regulators have reduced clearances because of their characteristic design and how they are commonly configured. These nominal clearances create a high risk for bird and animal contact. The high cost of replacing a regulator is another reason why it is crucial to protect such an important system asset.

Better by Design

- Based on the 100 years of collective knowledge of the Reliaguard linemen who specialize in wildlife mitigation, designs consider all risk points. A team of CAD designers support linemen in incorporating features unique to only Reliaguard Retro Kit guards.
- Retro Kit Guards effectively enclose bushing connections and are designed to ensure long-term retention.
- The push fastener included with each cover provides an optional method of safeguarding covers from being inadvertently opened and dislodged.

Superior Material

- All Reliaguard products are made from Reliatanium, a proprietary material designed by Reliaguard's chemical engineering founders.
- Reliatanium achieves a V-0 flammability classification, the highest rating for the UL 94 test standard and has a 15+ year lifespan.
- Material properties for UV stability and flame retardancy
- Rigid and robust material in properties and design
- Tested to meet specific guidelines of IEEE 1656-2010

Ease of Installation

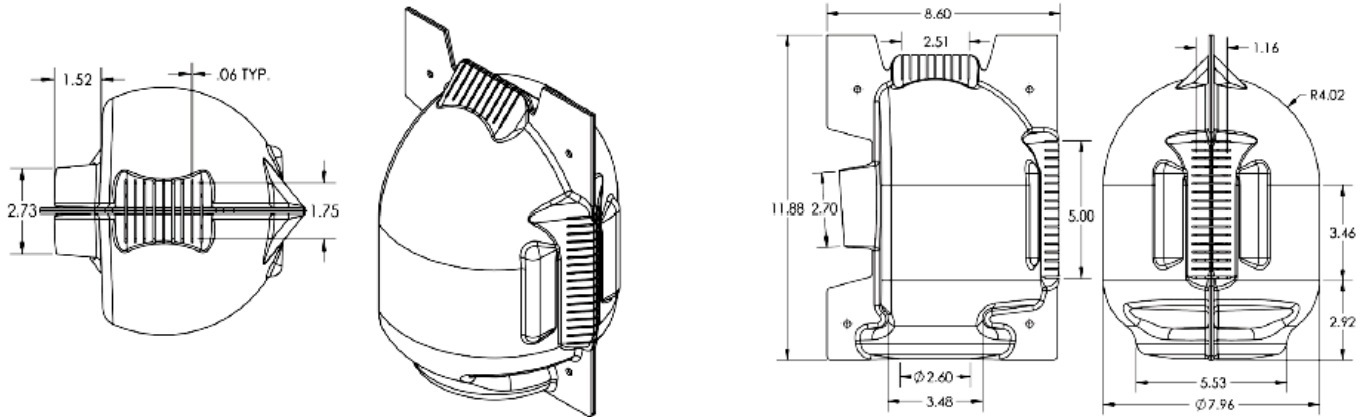
Power linemen like our products because:

- Reliaguard[®] Retro Kit Guards are designed to stay in place. Retention of the guard once applied is a critical design feature to be considered
- Manufactured with a superior closure design to ensure the retro kit guards stay where they are installed
- Guards can accommodate conductor exiting at various angles
- Best results are achieved when installed with GreyEEL Conductor Cover



Technical Features

Designed to prevent wildlife caused outages, these guards are tested for application on equipment up to 38kV.



Product Name	Part Number	Height Dimension *	Diameter Dimension *	Additional Dimension*	Min Order Quantity
Siemens Regulator Kit 167 - 400 ¹	RK-11022K	10.2 (259)	7.75 (196.9)	2.63 () base port	1

*Dimensions in inches (millimeters)

¹Regulator kit includes two (2) bushing guards

Species at Risk:

Listed below are those specific animals that have been identified by the IEEE survey as known or potential sources of animal-related outages. (Source: IEEE 1264™-2015)

Animals	% Utilities Responding to IEEE Survey
Squirrels	90%
Birds	86%
Raccoons	57%
Snakes	46%
Cats	43%
Mice	30%
Rats	19%
Opossums	13%

Several other animals were identified by utilities as problematic. These animals are not major contributors, as none were reported by more than 5% of the utilities:

Bats, deer, dogs, foxes, frogs, gophers, ground hogs, insects, lizards, moles, monkeys, pikas, rabbits, ring-tailed cats, skunks, weasels

Fits the following equipment manufacturers' products:

- Siemens 333/374 kVa or 437/489 Amp
- Siemens 250/280 kVa or 328/367 Amp
- Siemens 167/187 kVa or 219/245 Amp

Guards for additional equipment types required for volume orders will be designed by Reliaguard as requested by customers.

