

CABLE TERMINATION GUARDS (TC-14001)

Points of termination are typically configured near grounded support structures or bonded brackets and are important to protect from animal reach or bird wingspan.

Better by Design

- Based on the 100 years of collective knowledge of the Reliaguard linemen who specialize in wildlife mitigation, designs consider all risk points. A team of CAD designers support our linemen to incorporate features unique only to Reliaguard Termination Guards.
- Termination guards are designed to accommodate a wide variety of conductor diameters and offer complete coverage of the bolted connection and the compression cable connector.

Superior Material

- Terminations are often situated next to arresters and like lightning arresters are susceptible to high intensity heat which is why protecting them with a non-flammable product is critically important.
- All Reliaguard products are made from Reliatanium, a proprietary material designed by Reliaguard's chemical engineering founders.
- Reliatanium achieves a V-0 flammability classification, the highest rating for the UL 94 test standard and has a 15+ year lifespan.
- Reliatanium material properties incorporate UV stability and flame retardancy
- Rigid and robust material in properties and design
- Tested to meet specific guidelines of IEEE 1656-2010

Ease of Installation

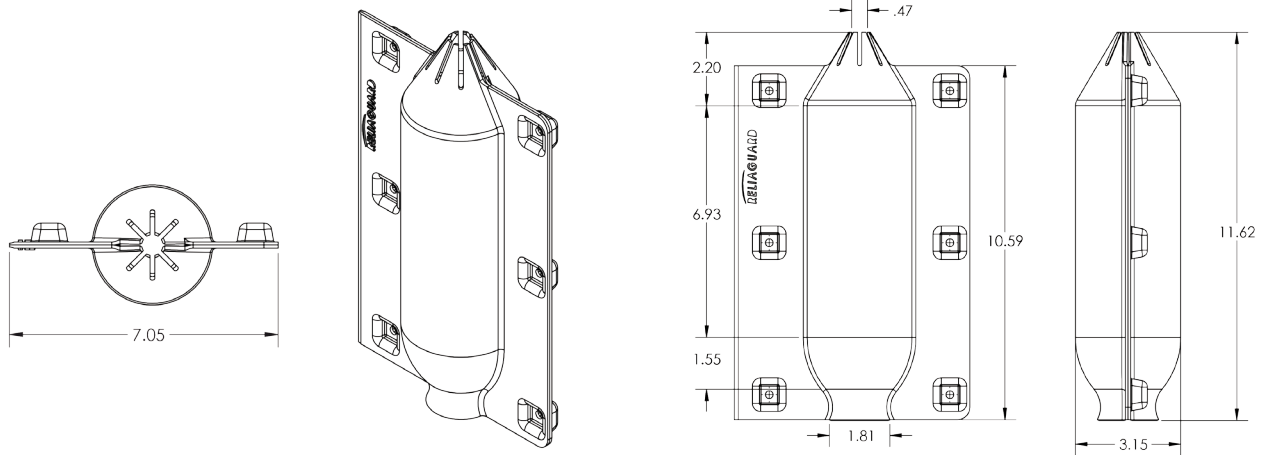
Power linemen like our products for the following features:

- Reliaguard[®] Termination Guards are designed to stay in place. Retention of the cover once applied is a critical design feature to be considered.
- Guards can accommodate a wide variety of conductor diameters
- Complete coverage of the bolted connection and compression cable connection
- Best results are achieved when installed with GreyEEL Conductor Cover



Technical Features

Designed to prevent wildlife caused outages, these guards are tested for application on equipment up to 38kV.



Product Name	Part Number	Height Dimension *	Diameter Dimension *	Additional Dimension*	Min Order Quantity
Termination Guard	TC-14001	10.59 (269)	3 (76.2)	1.5 (38.1) base port	12

*Dimensions in inches (millimeters)

Species at Risk:

Listed below are those specific animals that have been identified by the IEEE survey as known or potential sources of animal-related outages. (Source: IEEE 1264™-2015)

Animals	% Utilities Responding to IEEE Survey
Squirrels	90%
Birds	86%
Raccoons	57%
Snakes	46%
Cats	43%
Mice	30%
Rats	19%
Opossums	13%

Several other animals were identified by utilities as problematic. These animals are not major contributors, as none were reported by more than 5% of the utilities:

Bats, deer, dogs, foxes, frogs, gophers, ground hogs, insects, lizards, moles, monkeys, pikas, rabbits, ring-tailed cats, skunks, weasels

Fits the following equipment manufacturers' products:

- Most #1 underground cable terminations
- 500 MCM wire size cable terminations
- 750 MCM wire size cable terminations

