

CLAMP-TOP INSULATOR GUARD (PI-12002)

For most powerline structures, post insulators are situated on perch locations preferred by birds. Phase to phase or phase to ground contact from wingspans are common. The Reliaguard Clamp-Top Insulator Guard specifically accommodates the K-Line Insulator. The guard is designed to remain securely retained in place without compromising an insulator's BIL rating.

Better by Design

- Based on the 100 years of collective knowledge of the Reliaguard linemen who specialize in wildlife mitigation, designs consider all risk points. A team of CAD designers support linemen to incorporate features unique to the Reliaguard Clamp-Top Insulator Guard.
- The Reliaguard Clamp-Top Insulator Guard accommodates the K-Line Insulator.
- When used with conductor cover the Reliaguard Clamp-Top Insulator Guard provides complete coverage.

Superior Material

- All Reliaguard products are made from Reliatanium, a proprietary material designed by Reliaguard's chemical engineering founders.
- Reliatanium achieves a V-0 flammability classification, the highest rating for the UL 94 test standard and has a 15+ year lifespan.
- Material properties for UV stability and flame retardancy
- Rigid and robust material in properties and design
- Tested to meet specific guidelines of IEEE 1656-2010

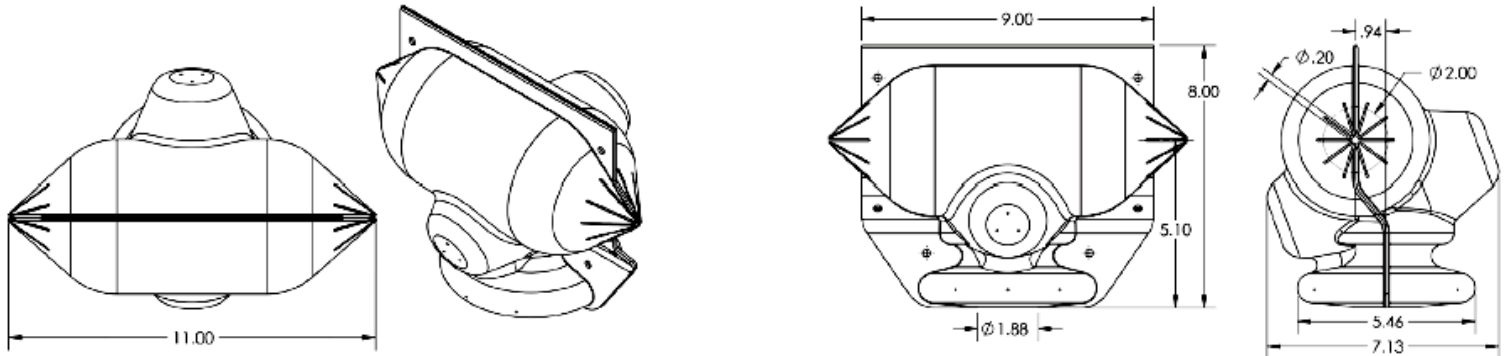
Ease of Installation

Power linemen like our products because:

- The Reliaguard Clamp-Top Insulator Guard is designed to stay in place. Retention of the cover once applied is a critical design feature to be considered
- Guards can accommodate various conductor diameters
- Best results are achieved when installed with GreyEEL Conductor Cover

Technical Features

Designed to prevent wildlife caused outages, these guards are tested for application on equipment up to 38kV.



Product Name	Part Number	Height Dimension *	Diameter Dimension *	Additional Dimension*	Min Order Quantity
Clamp-Top Insulator Guard	PI-12002	7 (177.8)	5.37 (136.4)	1.88 (47.8) base port	12

*Dimensions in inches (millimeters)

Species at Risk:

Listed below are those specific animals that have been identified by the IEEE survey as known or potential sources of animal-related outages. (Source: IEEE 1264™-2015)

Animals	% Utilities Responding to IEEE Survey
Squirrels	90%
Birds	86%
Raccoons	57%
Snakes	46%
Cats	43%
Mice	30%
Rats	19%
Opossums	13%

Several other animals were identified by utilities as problematic. These animals are not major contributors, as none were reported by more than 5% of the utilities:

Bats, deer, dogs, foxes, frogs, gophers, ground hogs, insects, lizards, moles, monkeys, pikas, rabbits, ring-tailed cats, skunks, weasels

Fits the following equipment manufacturers' products:

- K-Line Insulator

