

FUSED DISCONNECT SWITCH COVER (CO-10005)

Cut-out switches are often configured in close proximity to each other and may result in phase to phase or phase to ground contacts by wildlife. Contact with cut-outs are a common cause of power outages. Fused Disconnect Switch Guards protect endangered species, birds, squirrels, raccoons, snakes, and other wildlife from contact with energized risk points.

Better by Design

- Based on the 100 years of collective knowledge of the Reliaguard linemen who specialize in wildlife mitigation, designs consider all risk points. A team of CAD designers support linemen to incorporate features unique to Reliaguard Switch Guards.
- Switch guards are designed to accommodate various conductor diameters providing superior coverage of the energized connection point and to ensure the Switch Guards stay where they are installed.
- Switch Guards fit both porcelain and polymer cut-outs

Superior Material

- All Reliaguard products are made from Reliatanium, a proprietary material designed by Reliaguard's chemical engineering founders.
- Reliatanium achieves a V-0 flammability classification, the highest rating for the UL 94 test standard and has a 15+ year lifespan.
- Material properties for UV stability and flame retardancy
- Rigid and robust material in properties and design
- Tested to meet specific guidelines of IEEE 1656-2010

Ease of Installation

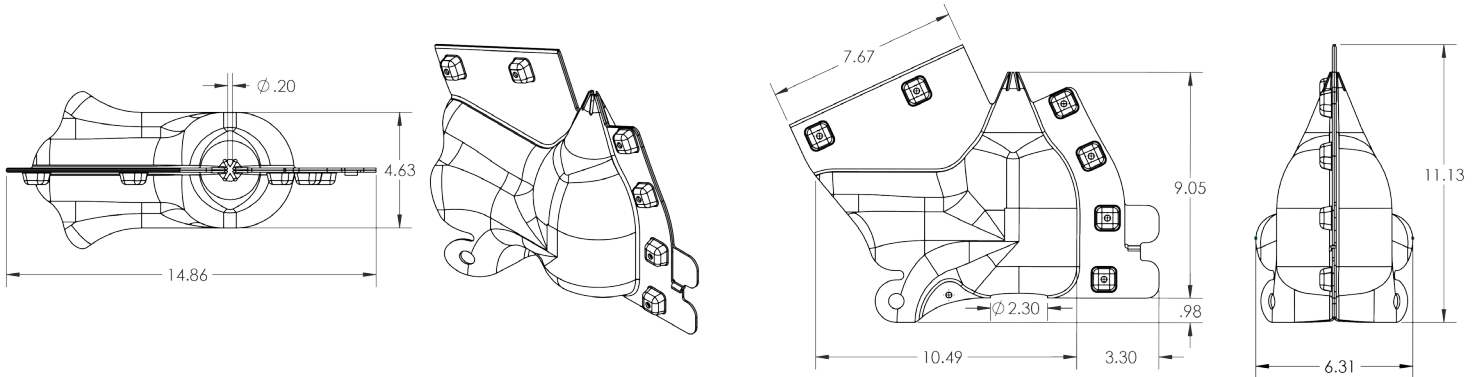
Power linemen like our products because:

- Reliaguard[®] Fused Disconnect Switch Guards are designed to stay in place. Retention of the cover once applied is a critical design feature to be considered
- Guards can accommodate various conductor diameters
- Fits a wide range of porcelain and polymer switches
- Reliaguard Switch Guards are made in hot-stickable versions
- Best results are achieved when installed with GreyEEL Conductor Cover



Technical Features

Designed to prevent wildlife caused outages, these guards are tested for application on equipment up to 38kV.



Product Name	Part Number	Height Dimension *	Diameter Dimension *	Additional Dimension*	Min Order Quantity
Switch Cover - Short Hood	CO-10005	6.65 (169)	4.5 (114.3)	2.3 (58.4) base port	12

*Dimensions in inches (millimeters)

Species at Risk:

Listed below are those specific animals that have been identified by the IEEE survey as known or potential sources of animal-related outages. (Source: IEEE 1264™-2015)

Animals	% Utilities Responding to IEEE Survey
Squirrels	90%
Birds	86%
Raccoons	57%
Snakes	46%
Cats	43%
Mice	30%
Rats	19%
Opossums	13%

Several other animals were identified by utilities as problematic. These animals are not major contributors, as none were reported by more than 5% of the utilities:

Bats, deer, dogs, foxes, frogs, gophers, ground hogs, insects, lizards, moles, monkeys, pikas, rabbits, ring-tailed cats, skunks, weasels

Fits the following equipment manufacturers' products:

- ABB X1NCANAM11
- Peak Demand
- Small porcelain cutouts
- Concrete polymer cutouts

