

MULTIPOINT LIGHTNING ARRESTER GUARDS (LA -13002)

The guard that is typically included with new arresters often doesn't provide enough coverage to fully protect the wire connections or properly overlap the stripped section of a poly-covered conductor at the connection point. Lightning arrester protection should consider the higher the voltage the further the coverage needs to extend – Reliaguard Multipoint Lightning Arrester Guards meet this requirement. Reliaguard Pipe Bus Guards protect endangered species, birds, squirrels, raccoons, snakes, feral cats and other wildlife from contact with energized risk points.

Better by Design

- Based on the 100 years of collective knowledge from the Reliaguard linemen who specialize in wildlife mitigation, designs consider all risk points. A team of CAD designers support our linemen to incorporate features unique to only Reliaguard Bushing Guards.
- Lightning arrester guards are designed to deliver better coverage of the wire connection and properly overlap conductors at the connection point

Superior Material

- With current surges being diverted through arresters, it is critically important that the arresters and associated guards are non-flammable
- All Reliaguard products are made from Reliatanium, a proprietary material designed by Reliaguard's chemical engineering founders.
- Reliatanium achieves a V-0 flammability classification, the highest rating for the UL 94 test standard and has a 15+ year lifespan.
- Reliatanium material properties incorporate UV stability and flame retardancy
- Rigid and robust material in properties and design
- Tested to meet specific guidelines of IEEE 1656-2010

Ease of Installation

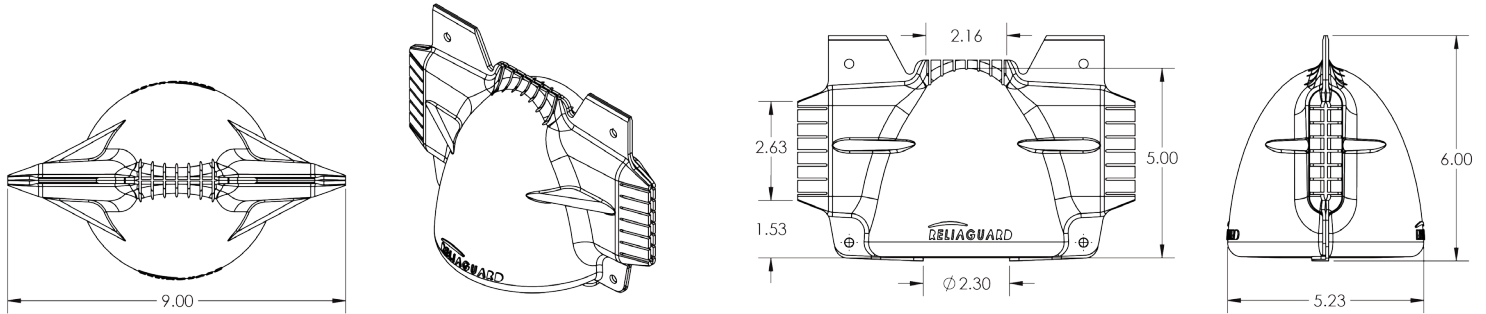
Power linemen like our products because:

- Reliaguard[®] Lightning Arrester Guards are designed to stay in place. Retention of the cover once applied is a critical design feature to be considered.
- Guards have 3 ports and can accommodate conductors exiting at various angles
- Fits a wide range of lightning arresters
- Best results are achieved when installed with GreyEEL Conductor Cover



Technical Features

Designed to prevent wildlife caused outages, these guards are tested for application on equipment up to 38kV.



Product Name	Part Number	Height Dimension *	Diameter Dimension *	Additional Dimension*	Min Order Quantity
Lightning Arrester - Multi Port	LA-13002	4.75 (120.6)	5 (127)	2.3 (58.4) base port	12

*Dimensions in inches (millimeters)

Species at Risk:

Listed below are those specific animals that have been identified by the IEEE survey as known or potential sources of animal-related outages. (Source: IEEE 1264™-2015)

Animals	% Utilities Responding to IEEE Survey
Squirrels	90%
Birds	86%
Raccoons	57%
Snakes	46%
Cats	43%
Mice	30%
Rats	19%
Opossums	13%

Several other animals were identified by utilities as problematic. These animals are not major contributors, as none were reported by more than 5% of the utilities:

Bats, deer, dogs, foxes, frogs, gophers, ground hogs, insects, lizards, moles, monkeys, pikas, rabbits, ring-tailed cats, skunks, weasels

Fits the following equipment manufacturers' products:

- UltraSIL UHS HD
- Maclean Joslyn ZHP010
- Fits most overhead distribution voltage lightning arresters

