

## PROTECTION DISC GUARD (PD-0401SF)

Reliaguard Protection Disk is a barrier used to isolate climbing animals thus preventing them from making a phase to ground contact. Protection disks are typically used on poles. Protection Disc Guards protect tree frogs, squirrels, raccoons, snakes, other wildlife from contact with energized risk points. The contact risk points are typically from a phase to ground contact.

### Better by Design

- Based on the 100 years of collective knowledge of the Reliaguard linemen who specialize in wildlife mitigation, designs consider all risk points. A team of CAD designers support our linemen to incorporate features unique to only Protection Disc Guards.
- Protection Disc Guards are designed as a two-piece barrier. The one size fits all design is adjustable to the interior flight diameter of most insulators.

### Superior Material

- All Reliaguard products are made from Reliatanium, a proprietary material designed by Reliaguard's chemical engineering founders.
- Reliatanium achieves a V-0 flammability classification, the highest rating for the UL 94 test standard and has a 15+ year lifespan.
- Reliatanium material properties incorporate UV stability and flame retardancy
- Rigid and robust material in properties and design
- Tested to meet specific guidelines of IEEE 1656-2010

### Ease of Installation

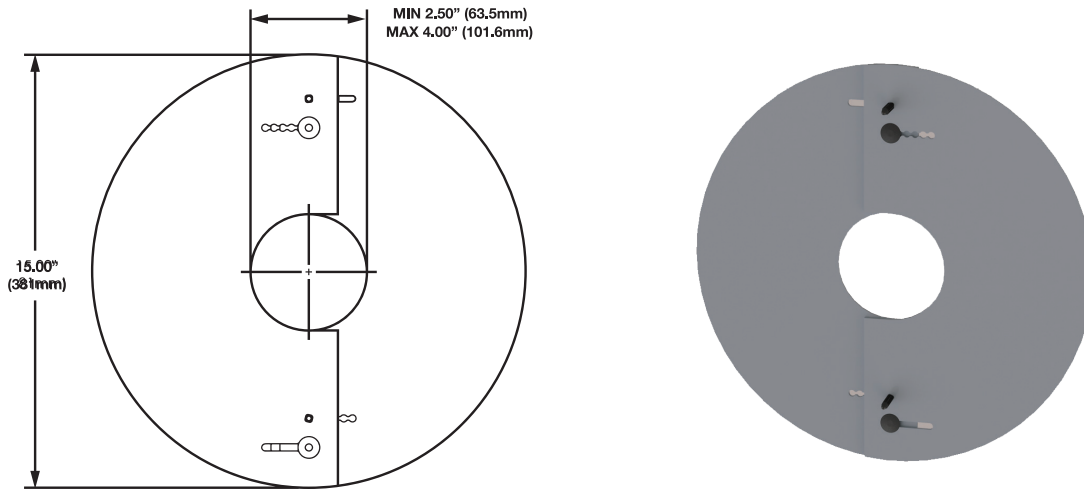
Power linemen like our products for the following features:

- Reliaguard<sup>®</sup> Protection Discs are designed to stay in place. Retention of the cover once applied is a critical design feature to be considered.
- Protection discs are a 2-piece adjustable size product
- Easy to install, the Protection Disc is supplied with push through pins to secure the disc for the required diameter of the center opening
- Fits a wide range of insulators



## Technical Features

Designed to prevent wildlife caused outages, these guards are tested for application on equipment up to 38kV.



Product Name	Part Number	Height Dimension *	Diameter Dimension *	Additional Dimension*	Min Order Quantity
Protection Disc	PD- 04015F	15.0 (381)	2.50 (63.5)	4.00 (101.6)	12

\*Dimensions in inches (millimeters)

## Species at Risk:

Listed below are those specific animals that have been identified by the IEEE survey as known or potential sources of animal-related outages. (Source: IEEE 1264™-2015)

Animals	% Utilities Responding to IEEE Survey
Squirrels	90%
Birds	86%
Raccoons	57%
Snakes	46%
Cats	43%
Mice	30%
Rats	19%
Opossums	13%

Several other animals were identified by utilities as problematic. These animals are not major contributors, as none were reported by more than 5% of the utilities:

**Bats, deer, dogs, foxes, frogs, gophers, ground hogs, insects, lizards, moles, monkeys, pikas, rabbits, ring-tailed cats, skunks, weasels**

## Fits the following equipment manufacturers' products:

- Fits insulators ranging from 0.25" to 5.25"