

SMALL TRANSFORMER BUSHING GUARDS (BC-15001)

Transformers are the most common perch point for wildlife. Transformer bushing guards protect endangered species, birds, squirrels, raccoons, snakes, feral cats and other wildlife from contact with energized risk points. The contact risk points on a bushing are typically from a phase to ground contact.

Better by Design

- Based on the 100 years of collective knowledge of the Reliaguard linemen who specialize in wildlife mitigation, designs consider all risk points. A team of CAD designers support our linemen to incorporate features unique to only Reliaguard Bushing Guards.
- Bushing guards are manufactured with a superior latch closure design to ensure the bushing guards stay where they are installed. The latch closure design provides an optimal method of ensuring covers can't be inadvertently dislodged.

Superior Material

- All Reliaguard products are made from Reliatanium, a proprietary material designed by Reliaguard's chemical engineering founders.
- Reliatanium achieves a V-0 flammability classification, the highest rating for the UL 94 test standard and has a 15+ year lifespan.
- Reliatanium material properties incorporate UV stability and flame retardancy
- Rigid and robust material in properties and design
- Tested to meet specific guidelines of IEEE 1656-2010

Ease of Installation

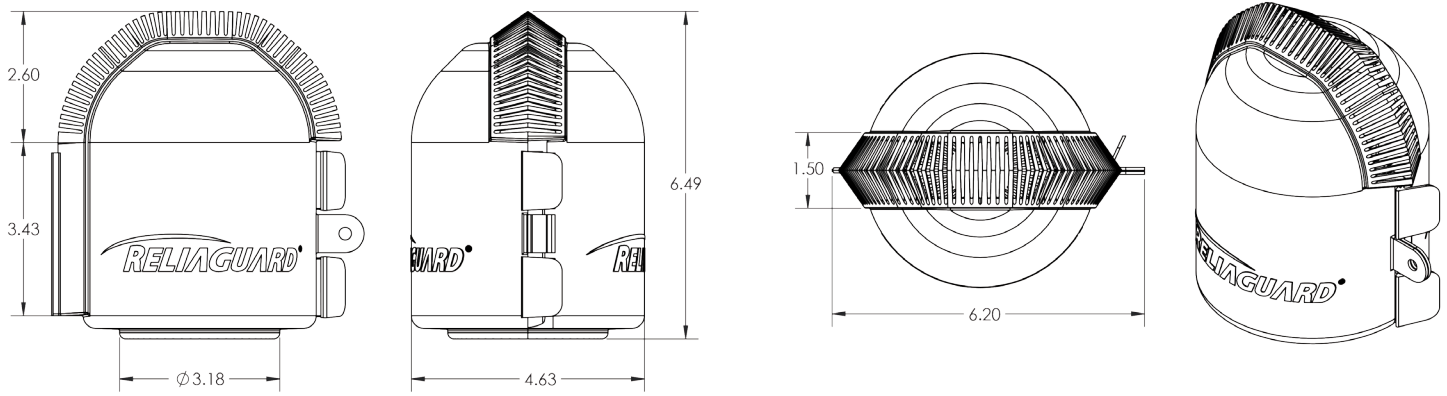
Power linemen like our products for the following features:

- Reliaguard[®] Bushing Guards are designed to stay in place. Retention of the cover once applied is a critical design feature to be considered.
- Manufactured with a superior closure design to ensure the bushing covers stay where they are installed
- Product features an interior shelf to ensure cover does not slip below the first skirt of an insulator which eliminates tracking
- Guards can accommodate conductor exiting at various angles
- Fits a wide range of single phase transformers
- Best results are achieved when installed with GreyEEL Conductor Cover



Technical Features

Designed to prevent wildlife caused outages, these guards are tested for application on equipment up to 38kV.



Product Name	Part Number	Height Dimension *	Diameter Dimension *	Additional Dimension*	Min Order Quantity
Bushing Guard - Small	BC-15001	5.7 (114.8)	4.4 (111.8)	1.26 (32) base port	24

*Dimensions in inches (millimeters)

Species at Risk:

Listed below are those specific animals that have been identified by the IEEE survey as known or potential sources of animal-related outages. (Source: IEEE 1264™-2015)

Animals	% Utilities Responding to IEEE Survey
Squirrels	90%
Birds	86%
Raccoons	57%
Snakes	46%
Cats	43%
Mice	30%
Rats	19%
Opossums	13%

Several other animals were identified by utilities as problematic. These animals are not major contributors, as none were reported by more than 5% of the utilities:

Bats, deer, dogs, foxes, frogs, gophers, ground hogs, insects, lizards, moles, monkeys, pikas, rabbits, ring-tailed cats, skunks, weasels

Fits the following equipment manufacturers' products:

- Most overhead transformer bushings

