

REGULATOR KIT S400 RETRO (RK-11022K)

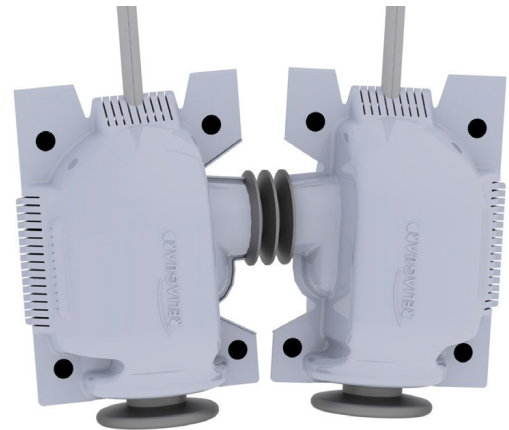
Both three-phase and single-phase regulators have reduced clearances because of their characteristic design and how they are commonly configured. These nominal clearances create a high risk for bird and animal contact. The high cost of replacing a regulator is another reason why it is crucial to protect such an important system asset.

Better by Design

- Based on the 100 years of collective knowledge of the Reliaguard linemen who specialize in wildlife mitigation, designs consider all risk points. A team of CAD designers support linemen in incorporating features unique to only Reliaguard Retro Kit guards.
- Retro Kit Guards effectively enclose bushing connections and are designed to ensure long-term retention.
- The push fastener included with each cover provides an optional method of safeguarding covers from being inadvertently opened and dislodged.

Superior Material

- All Reliaguard products are made from Reliatanium, a proprietary material designed by Reliaguard's chemical engineering founders.
- Reliatanium achieves a V-0 flammability classification, the highest rating for the UL 94 test standard and has a 15+ year lifespan.
- Material properties for UV stability and flame retardancy
- Rigid and robust material in properties and design
- Tested to meet specific guidelines of IEEE 1656-2010



Ease of Installation

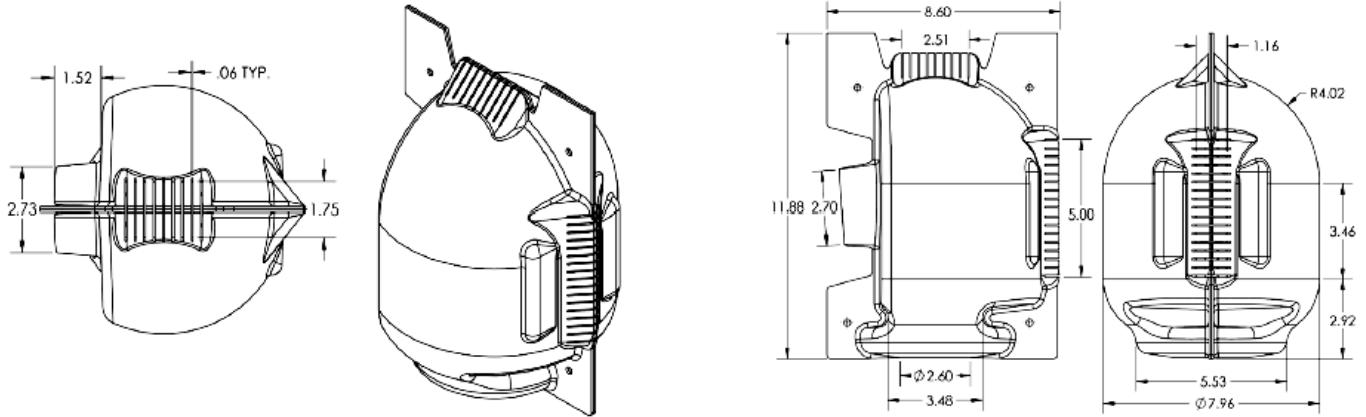
Power linemen like our products because:

- Reliaguard[®] Retro Kit Guards are designed to stay in place. Retention of the guard once applied is a critical design feature to be considered
- Manufactured with a superior closure design to ensure the retro kit guards stay where they are installed
- Guards can accommodate conductor exiting at various angles
- Best results are achieved when installed with GreyEEL Conductor Cover



Technical Features

Designed to prevent wildlife caused outages, these guards are tested for application on equipment up to 38kV.



Product Name	Part Number	Height Dimension *	Diameter Dimension *	Additional Dimension*	Pack Size (MOQ)
Siemens Regulator Kit 167 - 400 ¹	RK-11022K	10.2 (259)	7.75 (196.9)	2.63 (66.8) base port	1
Siemens Regulator Kit - S400 ¹	RK-11021K	10.2 (259)	7.75 (196.9)	2.63 (66.8) base port	1

¹ (Regulator kit includes 2 bushing covers; fits Siemens Regulators - 219 amp to 489 amp) covers)

RELIATANIUM MATERIAL PERFORMANCE TESTING All tests conducted at 38KV.

Performance Test #	Test Standards	Details	Test Result
Flammability	UL - 94	Vertical Flame Test Test plaques self-extinguishing with no drips	V-0
Ultraviolet Aging	IEEE std 1656™ - 2010 Section 5.6	After completing 1000 hours, no perceived changes to the condition of test samples.	Completed
Tracking and Erosion Resistance	IEC 60587	6 hrs (Full duration of test)	Achieved @ 2KV
Wet Power Frequency Flashover	IEEE Std 1656™-2010 Section 5.3	Average flashover value of all samples greater than 90% of the value obtained on the test fixture alone	Passed
Wet Withstand	IEEE Std 1656™-2010 Section 5.2.1	Option 1 - moving Electrode All Samples did not puncture or flash over	Passed
Tensile Strength at Break	ASTM D638		2,000 psi
Shore Durometer	ASTM D2240		65 Shore D
Heat Deflection	ASTM D648		225°F 66 psi