

## SMALL TRANSFORMER BUSHING GUARDS (BC-14991, BC-15010, BC-15008)

Transformers are the most common perch point for wildlife. Transformer bushing guards protect endangered species, birds, squirrels, raccoons, snakes, feral cats and other wildlife from contact with energized risk points. The contact risk points on a bushing are typically from a phase to ground contact.

### Better by Design

- Based on the 100 years of collective knowledge of the Reliaguard linemen who specialize in wildlife mitigation, designs consider all risk points. A team of CAD designers support our linemen to incorporate features unique to only Reliaguard Bushing Guards.
- Bushing guards are manufactured with a superior latch closure design to ensure the bushing guards stay where they are installed. The latch closure design provides an optimal method of ensuring covers can't be inadvertently dislodged.

### Superior Material

- All Reliaguard products are made from Reliatanium, a proprietary material designed by Reliaguard's chemical engineering founders.
- Reliatanium achieves a V-0 flammability classification, the highest rating for the UL 94 test standard and has a 15+ year lifespan.
- Reliatanium material properties incorporate UV stability and flame retardancy
- Rigid and robust material in properties and design
- Tested to meet specific guidelines of IEEE 1656-2010



### Ease of Installation

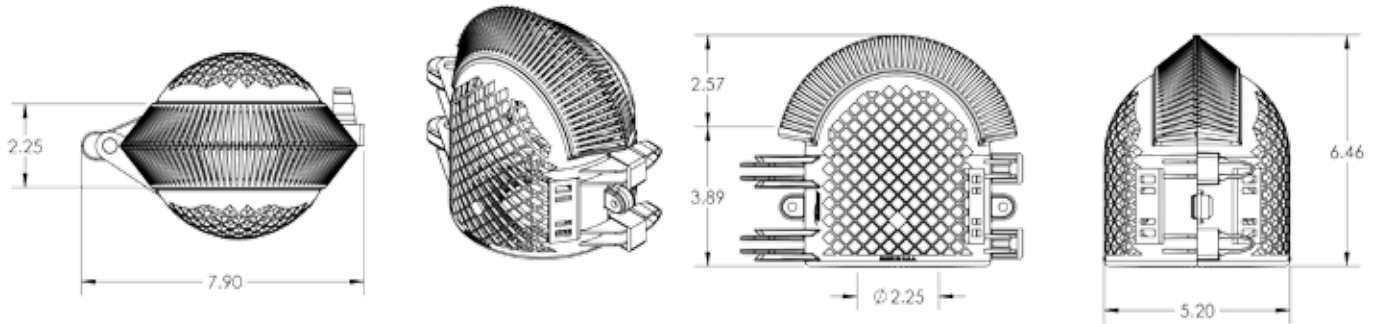
Power linemen like our products for the following features:

- Reliaguard<sup>®</sup> Bushing Guards are designed to stay in place. Retention of the cover once applied is a critical design feature to be considered.
- Manufactured with a superior closure design to ensure the bushing covers stay where they are installed
- Product features an interior shelf to ensure cover does not slip below the first skirt of an insulator which eliminates tracking
- Guards can accommodate conductor exiting at various angles
- Fits a wide range of single phase transformers
- Best results are achieved when installed with GreyEEL Conductor Cover



## Technical Features

Designed to prevent wildlife caused outages, these guards are tested for application on equipment up to 38kV.



Product Name	Part Number	Height Dimension *	Diameter Dimension *	Base Port Dimension*	Pack Size (MOQ)
#4 - Small Bushing Guard w/ Loop Latch	BC-14991	5.7 (114.8)	4.4 (111.8)	1.8 (45.7)	24
#5 - Small Bushing - Solid- 2.25" base	BC-15010	5.6 (142.2)	5 (127)	2.25 (57.2)	24
#5 - Small Bushing - Mesh - 2.25" base	BC-15008	5.6 (142.2)	5 (127)	2.25 (57.2)	24
#5 Small Bushing - Small Base 1.8"	BC-16003	5.6 (142.2)	5 (127)	1.8 (45.7)	24
#5 Small Bushing - Mesh - Small Base 1.8"	BC-16005	5.6 (142.2)	5 (127)	1.8 (45.7)	24
#8 - Small Bushing Guard	BC-15028	15 (381)	8.25 (210)	3.5 (88.9)	6
#8 - Small Bushing Guard - Mesh	BC-15030	15 (381)	8.25 (210)	3.5 (88.9)	6

\*Dimensions in inches (millimeters)

## RELIATANIUM MATERIAL PERFORMANCE TESTING All tests conducted at 38KV.

Performance Test #	Test Standards	Details	Test Result
Flammability	UL - 94	Vertical Flame Test Test plaques self-extinguishing with no drips	V-0
Ultraviolet Aging	IEEE std 1656™ - 2010 Section 5.6	After completing 1000 hours, no perceived changes to the condition of test samples.	Completed
Tracking and Erosion Resistance	IEC 60587	6 hrs (Full duration of test)	Achieved @ 2KV
Wet Power Frequency Flashover	IEEE Std 1656™-2010 Section 5.3	Average flashover value of all samples greater than 90% of the value obtained on the test fixture alone	Passed
Wet Withstand	IEEE Std 1656™-2010 Section 5.2.1	Option 1 - moving Electrode All Samples did not puncture or flash over	Passed
Tensile Strength at Break	ASTM D638		2,000 psi
Shore Durometer	ASTM D2240		65 Shore D
Heat Deflection	ASTM D648		225°F 66 psi