

FUSED DISCONNECT SWITCH COVER (CO-10005)

Cut-out switches are often configured in close proximity to each other and may result in phase to phase or phase to ground contacts by wildlife. Contact with cut-outs are a common cause of power outages. Fused Disconnect Switch Guards protect endangered species, birds, squirrels, raccoons, snakes, and other wildlife from contact with energized risk points.

Better by Design

- Based on the 100 years of collective knowledge of the Reliaguard linemen who specialize in wildlife mitigation, designs consider all risk points. A team of CAD designers support linemen to incorporate features unique to Reliaguard Switch Guards.
- Switch guards are designed to accommodate various conductor diameters providing superior coverage of the energized connection point and to ensure the Switch Guards stay where they are installed.
- Switch Guards fit both porcelain and polymer cut-outs

Superior Material

- All Reliaguard products are made from Reliatanium, a proprietary material designed by Reliaguard's chemical engineering founders.
- Reliatanium achieves a V-0 flammability classification, the highest rating for the UL 94 test standard and has a 15+ year lifespan.
- Material properties for UV stability and flame retardancy
- Rigid and robust material in properties and design
- Tested to meet specific guidelines of IEEE 1656-2010

Ease of Installation

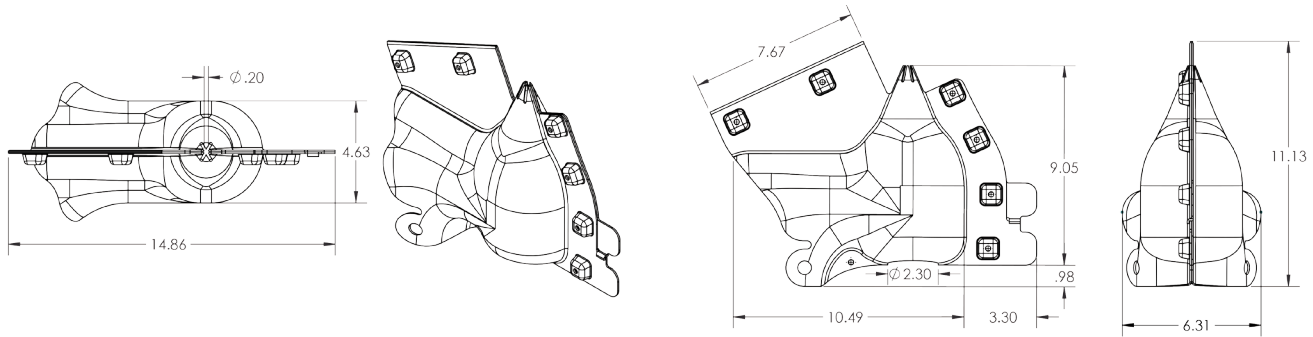
Power linemen like our products because:

- Reliaguard[®] Fused Disconnect Switch Guards are designed to stay in place. Retention of the cover once applied is a critical design feature to be considered
- Guards can accommodate various conductor diameters
- Fits a wide range of porcelain and polymer switches
- Reliaguard Switch Guards are made in hot-stickable versions
- Best results are achieved when installed with GreyEEL Conductor Cover



Technical Features

Designed to prevent wildlife caused outages, these guards are tested for application on equipment up to 38kV.



| Product Name | Part Number | Height Dimension * | Diameter Dimension * | Additional Dimension* | Pack Size (MOQ) |
|---------------------------|-------------|--------------------|----------------------|-----------------------|-----------------|
| Switch Cover - Short Hood | CO-10005 | 6.65 (169) | 4.5 (114.3) | 2.3 (58.4) base port | 12 |

*Dimensions in inches (millimeters)

RELIATANIUM MATERIAL PERFORMANCE TESTING All tests conducted at 38KV.

| Performance Test # | Test Standards | Details | Test Result |
|---------------------------------|-----------------------------------|---|----------------|
| Flammability | UL - 94 | Vertical Flame Test Test plaques self-extinguishing with no drips | V-0 |
| Ultraviolet Aging | IEEE std 1656™ - 2010 Section 5.6 | After completing 1000 hours, no perceived changes to the condition of test samples. | Completed |
| Tracking and Erosion Resistance | IEC 60587 | 6 hrs (Full duration of test) | Achieved @ 2KV |
| Wet Power Frequency Flashover | IEEE Std 1656™-2010 Section 5.3 | Average flashover value of all samples greater than 90% of the value obtained on the test fixture alone | Passed |
| Wet Withstand | IEEE Std 1656™-2010 Section 5.2.1 | Option 1 - moving Electrode All Samples did not puncture or flash over | Passed |
| Tensile Strength at Break | ASTM D638 | | 2,000 psi |
| Shore Durometer | ASTM D2240 | | 65 Shore D |
| Heat Deflection | ASTM D648 | | 225°F 66 psi |