

PROTECTION DISC GUARD (PD-0401SF)

Reliaguard Protection Disk is a barrier used to isolate climbing animals thus preventing them from making a phase to ground contact. Protection disks are typically used on poles. Protection Disc Guards protect tree frogs, squirrels, raccoons, snakes, other wildlife from contact with energized risk points. The contact risk points are typically from a phase to ground contact.

Better by Design

- Based on the 100 years of collective knowledge of the Reliaguard linemen who specialize in wildlife mitigation, designs consider all risk points. A team of CAD designers support our linemen to incorporate features unique to only Protection Disc Guards.
- Protection Disc Guards are designed as a two-piece barrier. The one size fits all design is adjustable to the interior flight diameter of most insulators.

Superior Material

- All Reliaguard products are made from Reliatanium, a proprietary material designed by Reliaguard's chemical engineering founders.
- Reliatanium achieves a V-0 flammability classification, the highest rating for the UL 94 test standard and has a 15+ year lifespan.
- Reliatanium material properties incorporate UV stability and flame retardancy
- Rigid and robust material in properties and design
- Tested to meet specific guidelines of IEEE 1656-2010

Ease of Installation

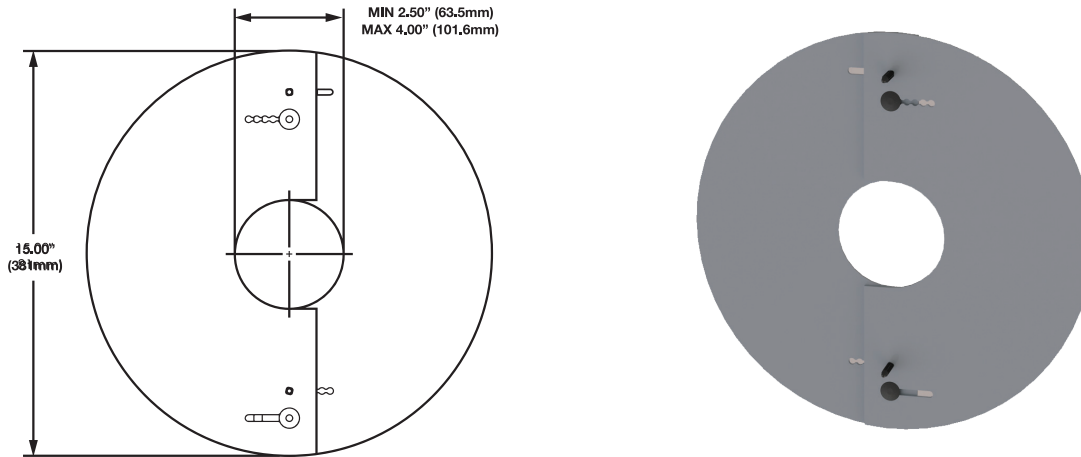
Power linemen like our products for the following features:

- Reliaguard[®] Protection Discs are designed to stay in place. Retention of the cover once applied is a critical design feature to be considered.
- Protection discs are a 2-piece adjustable size product
- Easy to install, the Protection Disc is supplied with push through pins to secure the disc for the required diameter of the center opening
- Fits a wide range of insulators



Technical Features

Designed to prevent wildlife caused outages, these guards are tested for application on equipment up to 38kV.



Product Name	Part Number	Outside Diameter	Inside Diameter	Width	Pack Size (MOQ)
Protection Disc - 4" ID Max - 15" OD - Flat	PD-0415F	22 (558.8)	2.5-4.0 (63.5-101.6)	0.125 (3.2)	12
Protection Disc - 5" ID Max - 22" OD - Flat	PD-0522F	16 (406.4)	2.5-5.0 (63.5-127)	0.125 (3.2)	12

**Dimensions in inches (millimeters)*

RELIATANIUM MATERIAL PERFORMANCE TESTING All tests conducted at 38KV.

Performance Test #	Test Standards	Details	Test Result
Flammability	UL - 94	Vertical Flame Test Test plaques self-extinguishing with no drips	V-0
Ultraviolet Aging	IEEE std 1656™ - 2010 Section 5.6	After completing 1000 hours, no perceived changes to the condition of test samples.	Completed
Tracking and Erosion Resistance	IEC 60587	6 hrs (Full duration of test)	Achieved @ 2KV
Wet Power Frequency Flashover	IEEE Std 1656™-2010 Section 5.3	Average flashover value of all samples greater than 90% of the value obtained on the test fixture alone	Passed
Wet Withstand	IEEE Std 1656™-2010 Section 5.2.1	Option 1 - moving Electrode All Samples did not puncture or flash over	Passed
Tensile Strength at Break	ASTM D638		2,000 psi
Shore Durometer	ASTM D2240		65 Shore D
Heat Deflection	ASTM D648		225°F 66 psi