

CABLE TERMINATION GUARDS (TC-14002)

Points of termination are typically configured near grounded support structures or bonded brackets and are important to protect from animal reach or bird wingspan.

Better by Design

- Based on the 100 years of collective knowledge of the Reliaguard linemen who specialize in wildlife mitigation, designs consider all risk points. A team of CAD designers support our linemen to incorporate features unique only to Reliaguard Termination Guards.
- Termination guards are designed to accommodate a wide variety of conductor diameters and offer complete coverage of the bolted connection and the compression cable connector.

Superior Material

- Terminations are often situated next to arresters and like lightning arresters are susceptible to high intensity heat which is why protecting them with a non-flammable product is critically important.
- All Reliaguard products are made from Reliatanium, a proprietary material designed by Reliaguard's chemical engineering founders.
- Reliatanium achieves a V-0 flammability classification, the highest rating for the UL 94 test standard and has a 15+ year lifespan.
- Reliatanium material properties incorporate UV stability and flame retardancy
- Rigid and robust material in properties and design
- Tested to meet specific guidelines of IEEE 1656-2010



Ease of Installation

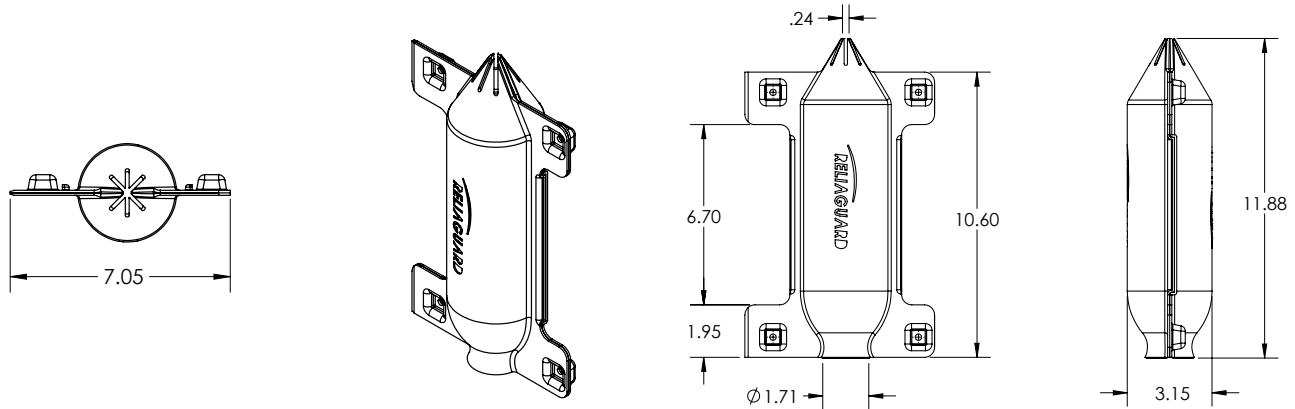
Power linemen like our products for the following features:

- Reliaguard[®] Termination Guards are designed to stay in place. Retention of the cover once applied is a critical design feature to be considered.
- Guards can accommodate a wide variety of conductor diameters
- Complete coverage of the bolted connection and compression cable connection
- Best results are achieved when installed with GreyEEL Conductor Cover



Technical Features

Designed to prevent wildlife caused outages, these guards are tested for application on equipment up to 38kV.



Product Name	Part Number	Height Dimension *	Diameter Dimension *	Additional Dimension*	Pack Size (MOQ)
Terminator Guard Lite	TC-14002	10.59 (269)	3 (76.2)	1.5 (38.1) base port	12

*Dimensions in inches (millimeters)

RELIATANIUM MATERIAL PERFORMANCE TESTING All tests conducted at 38KV.

Performance Test #	Test Standards	Details	Test Result
Flammability	UL - 94	Vertical Flame Test Test plaques self-extinguishing with no drips	V-0
Ultraviolet Aging	IEEE std 1656™ - 2010 Section 5.6	After completing 1000 hours, no perceived changes to the condition of test samples.	Completed
Tracking and Erosion Resistance	IEC 60587	6 hrs (Full duration of test)	Achieved @ 2KV
Wet Power Frequency Flashover	IEEE Std 1656™-2010 Section 5.3	Average flashover value of all samples greater than 90% of the value obtained on the test fixture alone	Passed
Wet Withstand	IEEE Std 1656™-2010 Section 5.2.1	Option 1 - moving Electrode All Samples did not puncture or flash over	Passed
Tensile Strength at Break	ASTM D638		2,000 psi
Shore Durometer	ASTM D2240		65 Shore D
Heat Deflection	ASTM D648		225°F 66 psi