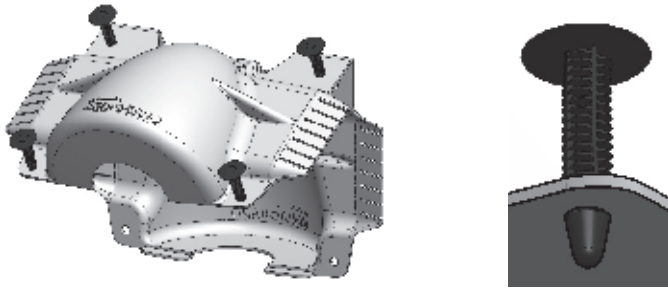
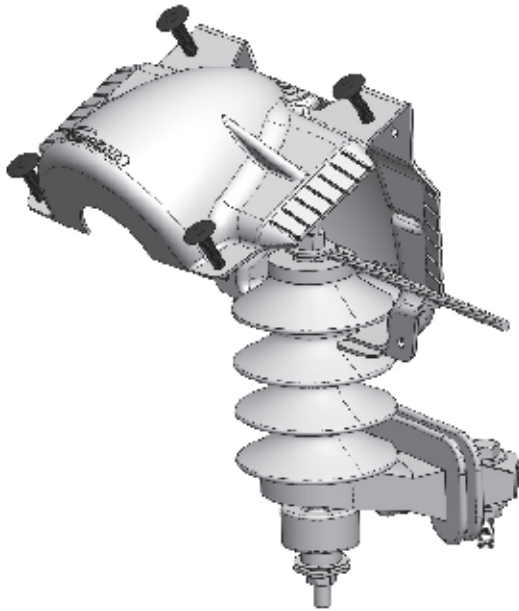


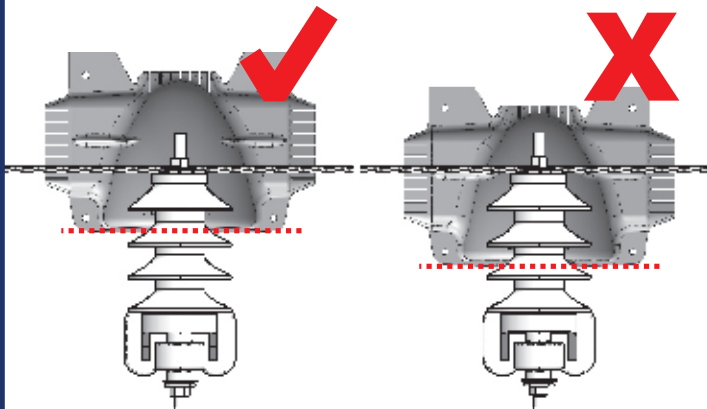
DE-ENERGIZED INSTALLATION INSTRUCTIONS



Note that push fasteners are one-time-use and must be cut to be removed. Side cutters work best to remove.

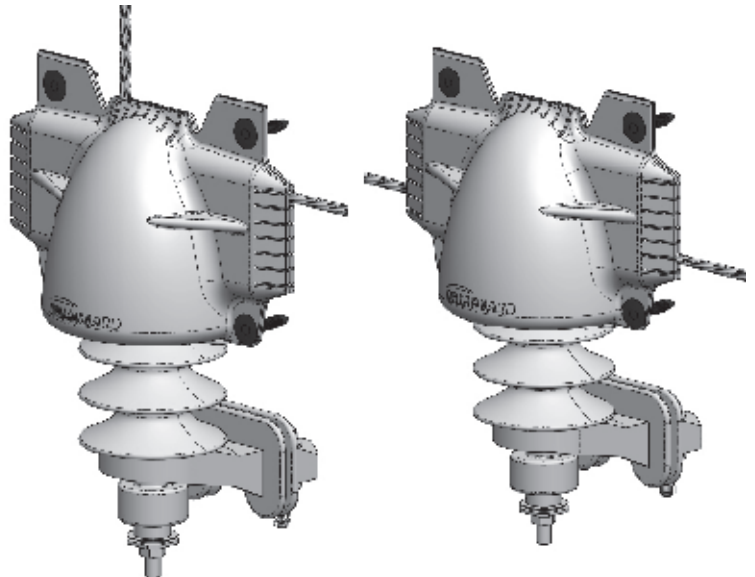


This cover is not intended to fit any lower on the insulator than to enclose the top flight.



MULTI-PORT LIGHTNING ARRESTER COVER

1. To save time, load included fasteners in the pre-drilled holes. Push through partially.
2. Position cover over arrester and verify that the wire exit ports and bottom hole for the insulator are correctly sized.
3. In most applications the cover should fit to enclose the top insulator flight ensuring it can't be dislodged.
4. When the vertical wire exit is needed, one of the hinged flanges will need to be split to allow the wire to pass through. Split using side cutters or shears.
5. The angle of the wire may need to be adjusted on occasion to ensure a better fit.
6. Push fasteners through to fully secure cover



Phone 949.305.3311
 Email orders@reliaguard.com
 Web www.reliaguard.com

RELIAGUARD[®]

BETTER SOLUTIONS FOR POWER LINE PROTECTION