

## CABLE TERMINATION GUARDS (TC-14002)

Points of termination are typically configured near grounded support structures or bonded brackets and are important to protect from animal reach or bird wingspan.

### Better by Design

- Based on the 100 years of collective knowledge of the Reliaguard linemen who specialize in wildlife mitigation, designs consider all risk points. A team of CAD designers support our linemen to incorporate features unique only to Reliaguard Termination Guards.
- Termination guards are designed to accommodate a wide variety of conductor diameters and offer complete coverage of the bolted connection and the compression cable connector.

### Superior Material

- Terminations are often situated next to arresters and like lightning arresters are susceptible to high intensity heat which is why protecting them with a non-flammable product is critically important.
- All Reliaguard products are made from Reliatanium, a proprietary material designed by Reliaguard's chemical engineering founders.
- Reliatanium achieves a V-0 flammability classification, the highest rating for the UL 94 test standard and has a 15+ year lifespan.
- Reliatanium material properties incorporate UV stability and flame retardancy
- Rigid and robust material in properties and design
- Tested to meet specific guidelines of IEEE 1656-2010



### Ease of Installation

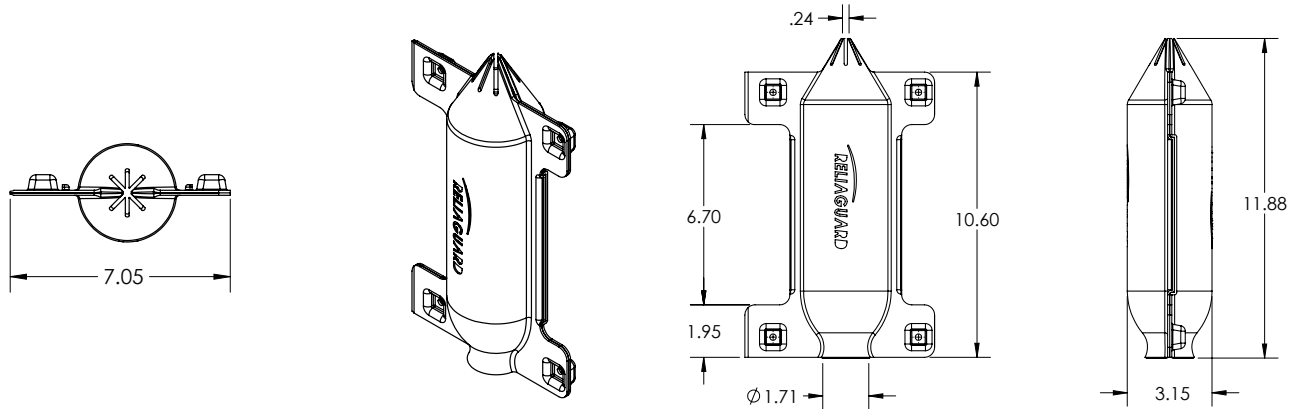
Power linemen like our products for the following features:

- Reliaguard<sup>®</sup> Termination Guards are designed to stay in place. Retention of the cover once applied is a critical design feature to be considered.
- Guards can accommodate a wide variety of conductor diameters
- Complete coverage of the bolted connection and compression cable connection
- Best results are achieved when installed with GreyEEL Conductor Cover



## Technical Features

Designed to prevent wildlife caused outages, these guards are tested for application on equipment up to 38kV.



Product Name	Part Number	Height Dimension *	Diameter Dimension *	Additional Dimension*	Pack Size (MOQ)
Terminator Guard Lite	TC-14002	10.59 (269)	3 (76.2)	1.5 (38.1) base port	12

\*Dimensions in inches (millimeters)

## RELIATANIUM MATERIAL PERFORMANCE TESTING All tests conducted at 38KV.

Performance Test #	Test Standards	Details	Test Result
Flammability	UL - 94	Vertical Flame Test Test plaques self-extinguishing with no drips	V-0
Ultraviolet Aging	IEEE std 1656™ - 2010 Section 5.6	After completing 1000 hours, no perceived changes to the condition of test samples.	Completed
Tracking and Erosion Resistance	IEC 60587	6 hrs (Full duration of test)	Achieved @ 2KV
Wet Power Frequency Flashover	IEEE Std 1656™-2010 Section 5.3	Average flashover value of all samples greater than 90% of the value obtained on the test fixture alone	Passed
Wet Withstand	IEEE Std 1656™-2010 Section 5.2.1	Option 1 - moving Electrode All Samples did not puncture or flash over	Passed
Tensile Strength at Break	ASTM D638		2,000 psi
Shore Durometer	ASTM D2240		65 Shore D
Heat Deflection	ASTM D648		225°F 66 psi